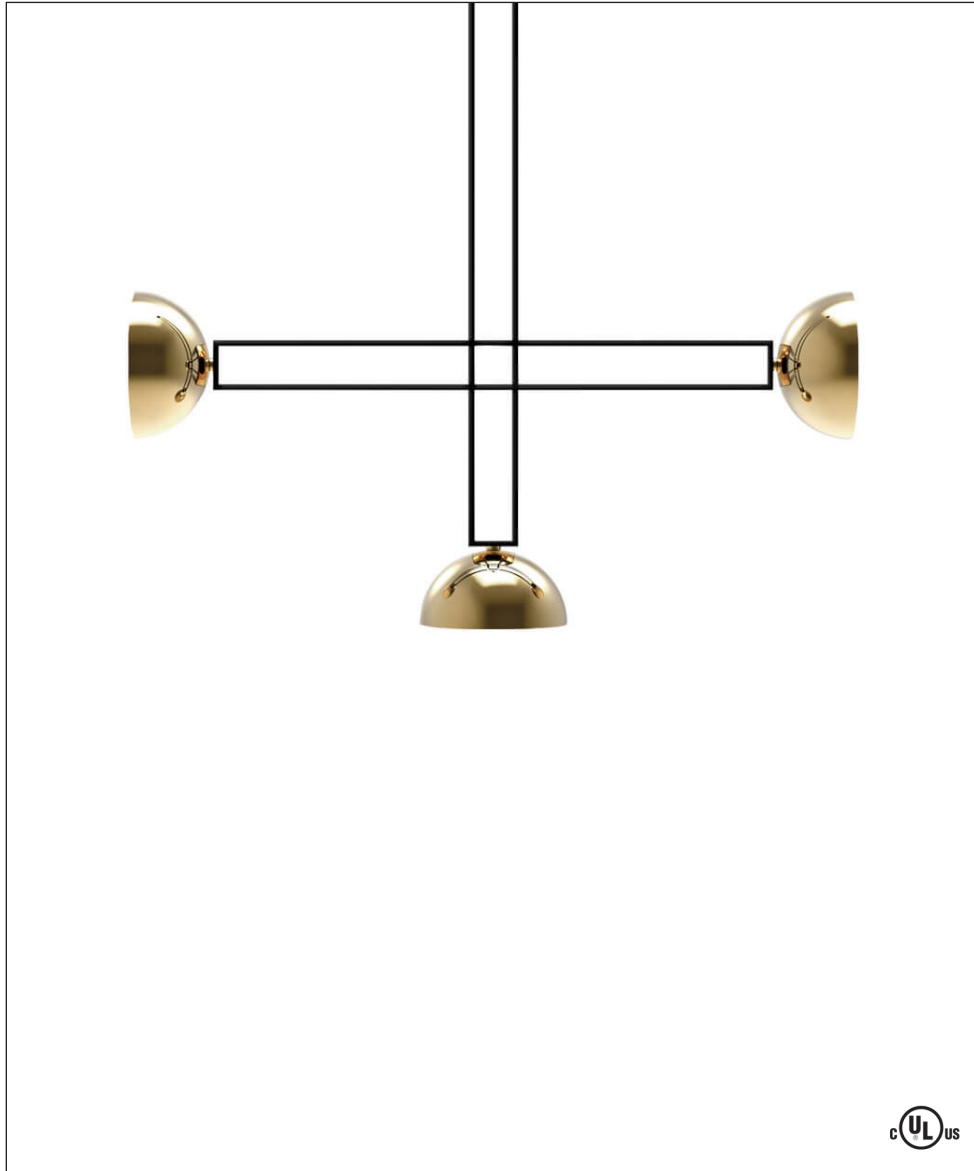


DA Editions

MK 3-Light Pendant



One might be forgiven for expecting music, not light, to emanate from the speaker-like hemispheres of the MK 3-Light pendant. But it was a chair, rather than a sound system, that inspired this sculptural fixture by DA Editions—its long vertical bars are a reference to the high-backed Hill House chair by Charles Rennie Mackintosh. An ultra-modern take on linear geometry, the three-light pendant is available various metal and glass finishes.

Ordering Matrix

Model

MK.03.PE.BRU.BRA/BRU.BRA = Brushed Brass/Brushed Brass
 MK.03.PE.BRU.BRA/BLK.BRA = Brushed Brass/Black Brass
 MK.03.PE.BRU.BRA/BRO.BRA = Brushed Brass/Bronze Brass
 MK.03.PE.BLK.BRA/BRU.BRA = Black Brass/Brushed Brass
 MK.03.PE.BLK.BRA/BLK.BRA = Black Brass/Brushed Brass
 MK.03.PE.BLK.BRA/BRO.BRA = Black Brass/Bronze Brass
 MK.03.PE.BRO.BRA/BRU.BRA = Bronze Brass/Brushed Brass
 MK.03.PE.BRO.BRA/BLK.BRA = Bronze Brass/Black Brass
 MK.03.PE.BRO.BRA/BRO.BRA = Bronze Brass/Bronze Brass

LED

3 x 4.5W E26 A19 / 450 Lumens / 2700K

Body Finish

BRU.BRA = Brushed Brass
 BLK.BRA = Black Brass
 BRO.BRA = Bronze Brass

Shade Finish

BRU.BRA = Brushed Brass
 BLK.BRA = Black Brass
 BRO.BRA = Bronze Brass

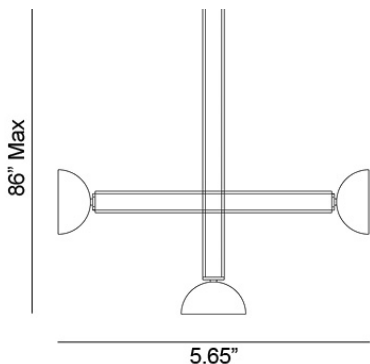
Fixture as shown

MK.03.PE.BLK.BRA/BRU.BRA

MK 3-Light Pendant

LED	BLK/BRA	BRU/BRA
3 x 4.5W	Black Brass	Brushed Brass

Design by: David Abad



**Global
Lighting**

hello@globalighting.com | www.globalighting.com

Body Finish



Shade Finish

