

By Marc de Groot

Helix 105 Pendant



The Helix 105 Pendant by Marc de Groot is based on a mathematical theory by Fibonacci. The precision de Groot brings to his work is evident in the way the pieces of aluminum are meticulously wrapped by hand to form the shade. We offer the Helix pendants in several sizes. Finish options include brass, aluminum, powder-coated white, and a black exterior and gold interior. The Helix 105 pendant is large enough to make a statement in monumental volumes.

Ordering Matrix

Model

HELIX.105.BR = Brass
HELIX.105.BL.GD = Black Exterior/Gold Interior
HELIX.105.WH = White
HELIX.105.AL = Aluminum

Standard Cord Length: 6 Feet
Cord Color: Black or White (with matching color canopy)

LED

1 x 11W A19 / 2700K / 1100 Lumens

Finish

BR = Brass BL.GD = Black/Gold
WH = White AL = Aluminum

Fixture as shown

HELIX.105

Helix 105 Pendant

LED

1 x 11W

AL

Aluminum

Finish



Brass



Black/Gold

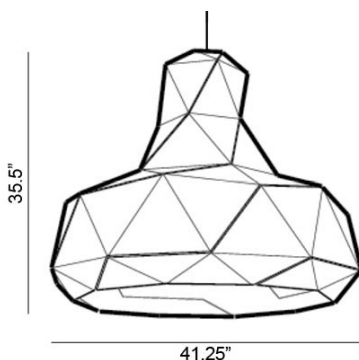


White



Aluminum

Design by: Marc de Groot



Global
Lighting

hello@globalighting.com | www.globalighting.com