

Zero

Top Pendant



Put this angular (triangular) pendant at the top of your list and your most discerning clients will see you as architecturally astute as you know you are. The Top, designed by Tham & Videgård, comes in white- or black-painted metal and has a matte acrylic diffuser and an adjustable shade.

Ordering Matrix

Model

- 7850101 = White, 25.5" (1 x 22W T-5)
- 7850106 = Black, 25.5" (1 x 22W T-5)
- 7850301 = White, 39.25" (1 x 40W T-5)
- 7850306 = Black, 39.25" (1 x 40W T-5)
- 7852101 = White, 25.5" (1 x 26W E-26)
- 7852106 = Black, 25.5" (1 x 26W E-26)
- 7852301 = White, 39.25" (1 x 26W E-26)
- 7852306 = Black, 39.25" (1 x 26W E-26)

*Cord: Black or White

F (Fluorescent)

- 1 x 22W Circleline T-5
- 1 x 40W Circleline T-5
- 1 x 26W CFL Spiral E-26

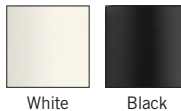
Finish

- WHT = White
- BLK = Black

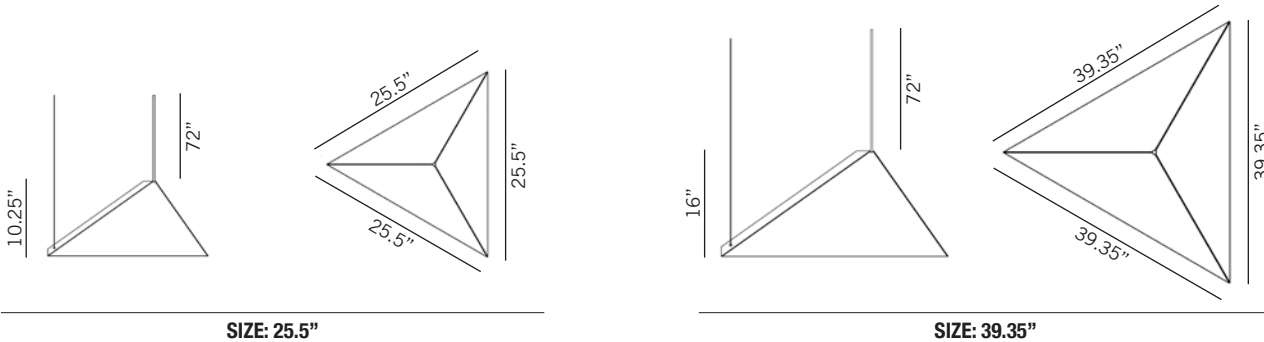
Fixture as shown

7855306	F	BLK
Top Pendant	1 x 26W	Black

Finishes



Design by: Tham & Videgård



POWERED BY
GlobalLighting

